

POWERED LIGHT DUTY CONVEYORS

Accessories

POWERED LIGHT DUTY CONVEYORS

Accessories

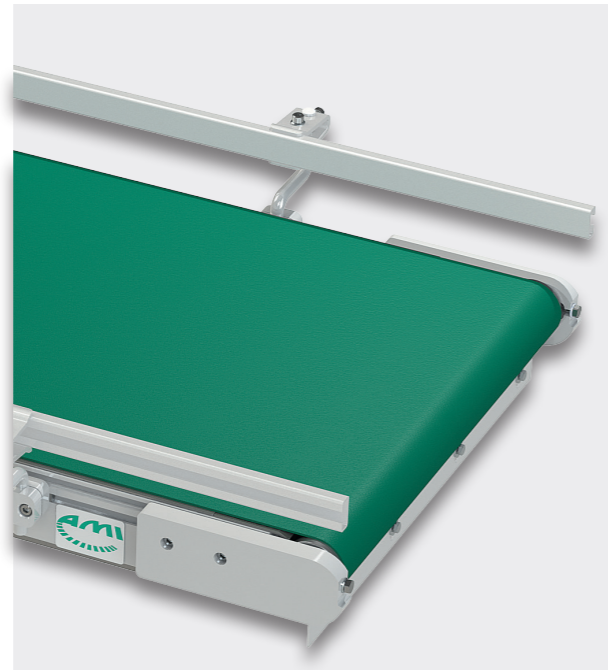
SIDE GUIDES



Sheet aluminium variant 35 x 2 mm

For easy mounting on the AluBase frame

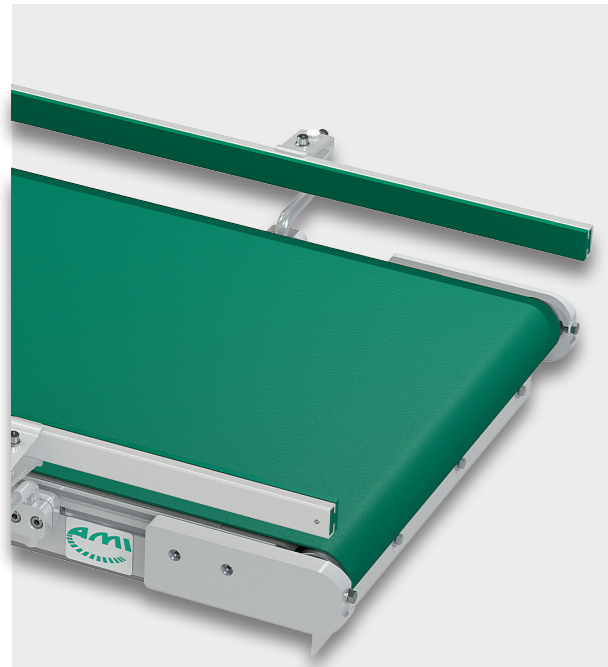
Includes fastening material



C-Profile variant 28 x 12 mm galvanised

Adjustable width and height

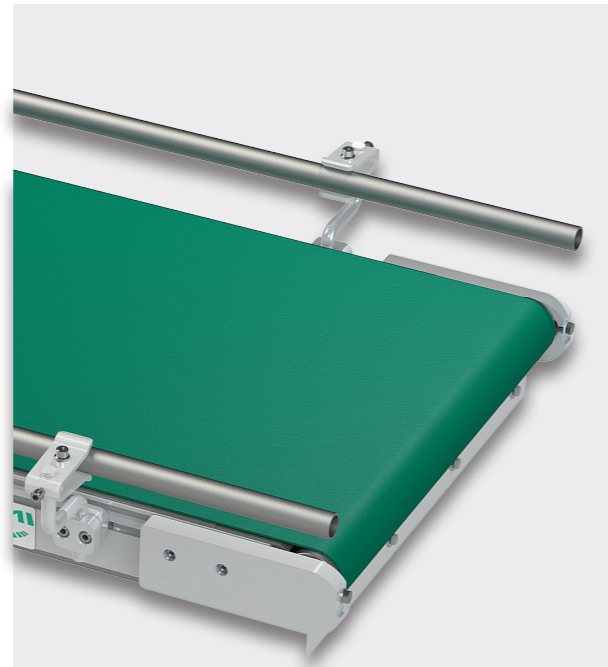
Includes fastening material



C-Profile variant 28 x 12 mm with material S

Adjustable width and height, gentle and gliding

Includes fastening material

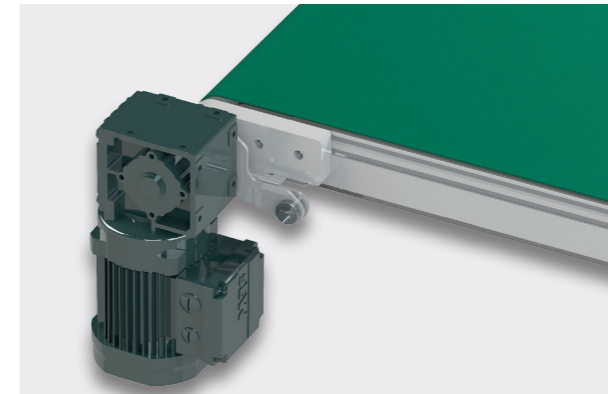


Round tube variant \varnothing 22 mm galvanised

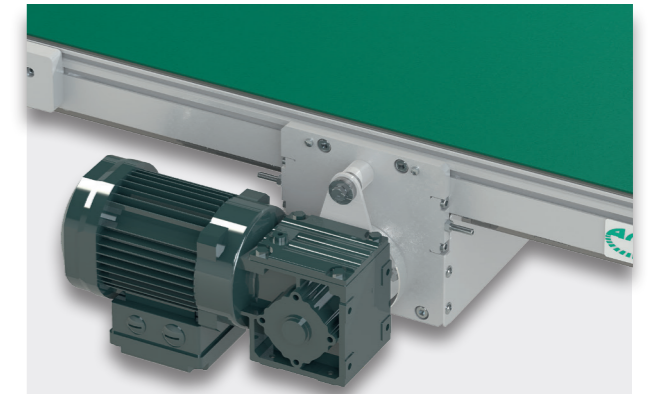
Adjustable width and height

Includes fastening material

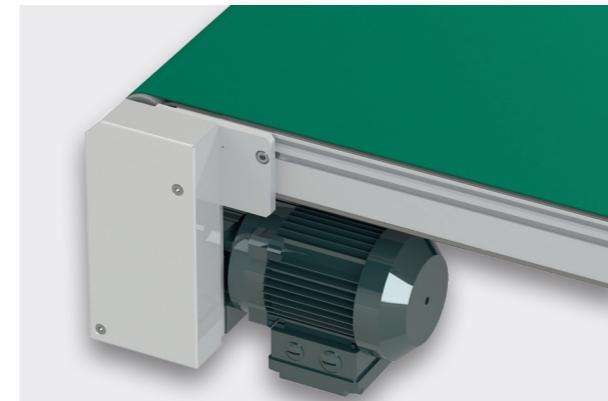
DRIVE ARRANGEMENT



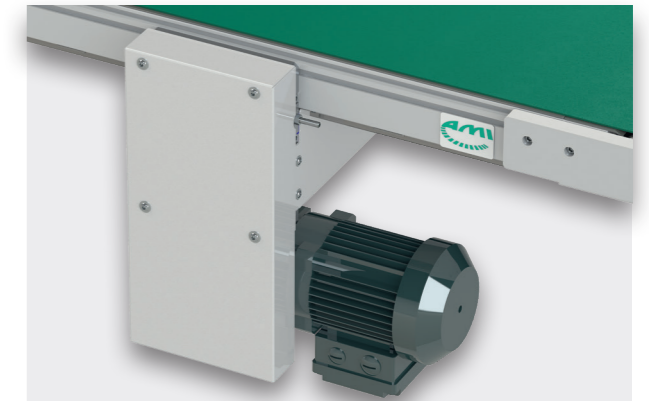
Head drive with slip-on gear unit



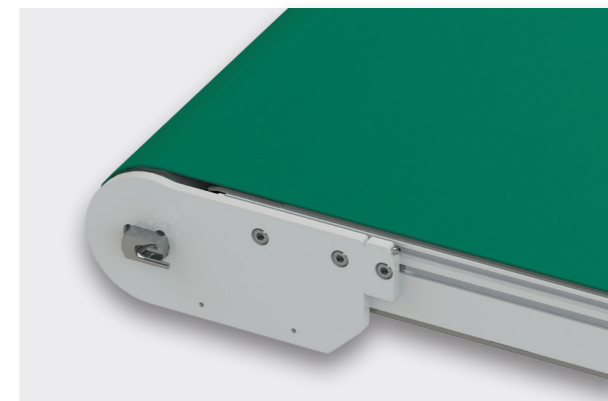
Centre drive with slip-on gear unit



Head drive with intermediate gear unit



Centre drive with intermediate gear unit



Head drive with drum motor



Centre drive with drum motor

POWERED LIGHT DUTY CONVEYORS

Accessories

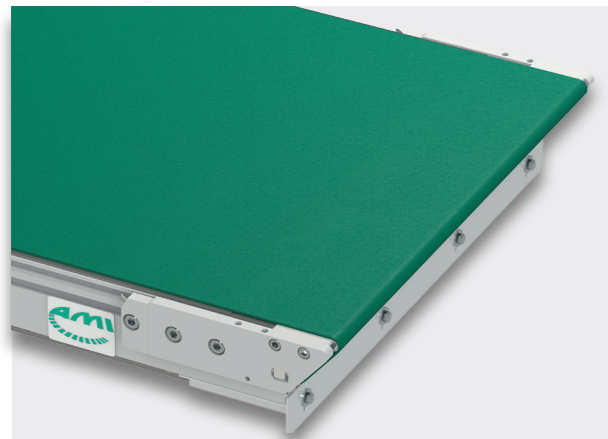
REDIRECTORS



Redirector \varnothing 52 mm



Redirector \varnothing 35 mm



Cutter edge \varnothing 13 mm



Cutter edge \varnothing 8 mm

SUPPORTS



Bipod support Type Steel

With screw-in adjustable base

Various height available: SH = 250 - 1150 mm



Bipod support Type Aluminium, telescoping

With screw foot

Various heights available:
SH = 240 - 410 mm
SH = 340 - 610 mm
SH = 540 - 1.010 mm
SH = 740 - 1.410 mm



Aluminium fixed underframe

with screw foot



Aluminium Bipod support Type S8-telescoping

with swivel castors